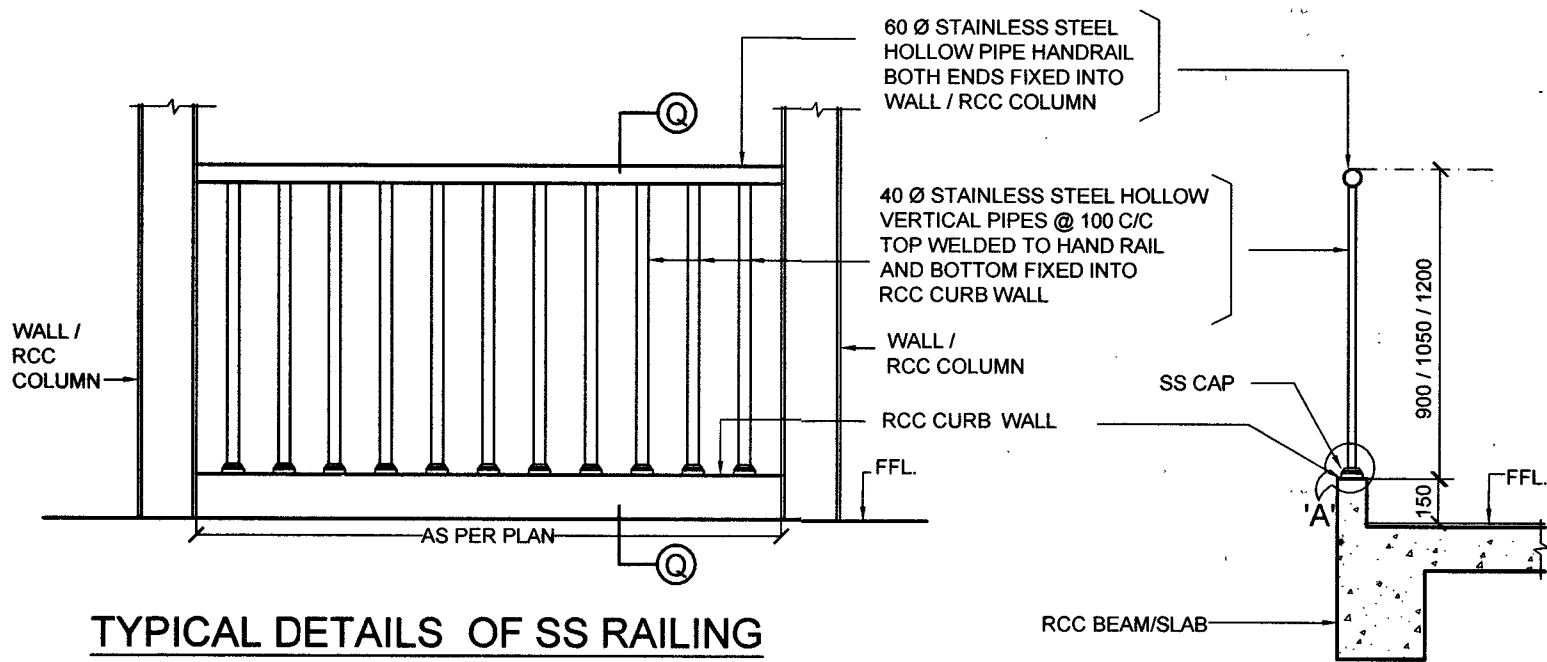


**TYPICAL DETAILS OF SS PARAPET RAILING WITH GLASS (HT AS PER MAIN DRG)**

SCALE 1 : 25

**SECTION AT 'P - P'**

SCALE 1 : 25

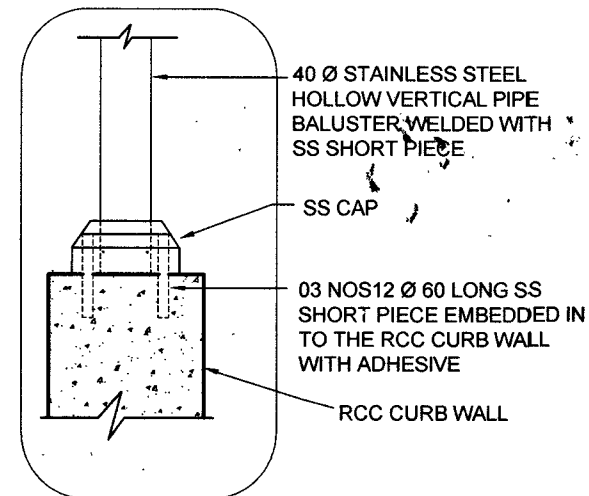


**TYPICAL DETAILS OF SS RAILING**

SCALE 1 : 25

**SECTION AT 'Q - Q'**

SCALE 1 : 25



**DETAIL AT - 'A'**

SL. NO.	NOTES
1	CONTRACTOR TO CHECK AND VERIFY ALL DIMENSIONS BEFORE EXECUTION OF WORK.
2	FIGURED DIMENSIONS SHALL BE FOLLOWED.
3	ALL DIMENSIONS ARE GIVEN IN MILLIMETERS UNLESS OTHERWISE SPECIFIED.
4	EXECUTIVE AUTHORITY SHALL CHECK THIS DRG. BEFORE TAKING EXECUTION IN HAND.
5	ALL STAINLESS STEEL MEMBERS SHALL BE SMOOTH POLISHED.
6	GAUGE FOR STAINLESS STEEL MEMBERS SHALL BE NOT LESS THAN 1.6 MM TH.
7	ALL STAINLESS STEEL MEMBERS SHALL BE OF SS 304 GRADE.

SL NO	DATE	DESCRIPTION	SIGN.
<b>REVISIONS</b>			
<b>TYPICAL DETAILS OF STAINLESS STEEL (SS) RAILING</b>			
DATE	28/11/2024	<b>CHIEF ENGINEER PUNE ZONE PUNE</b>	SHT. NO.
DRN	NB SUB SHEKH VAJIR		1/1
TCD			
CKD			
SCALE	AS SHOWN	DRG.NO- CEPZ / 2024 / TD / 05	
<i>Paathas</i> AAD (ARCH)		<i>W. Lokale</i> DY DIR (ARCH)	
		<i>D. Mandale</i> DIRECTOR (ARCH) FOR CHIEF ENGINEER	